

*manuale
di istruzioni
instruction
manual*

*1^a edizione, ottobre 1996
1st edition october 1996*

sequenza

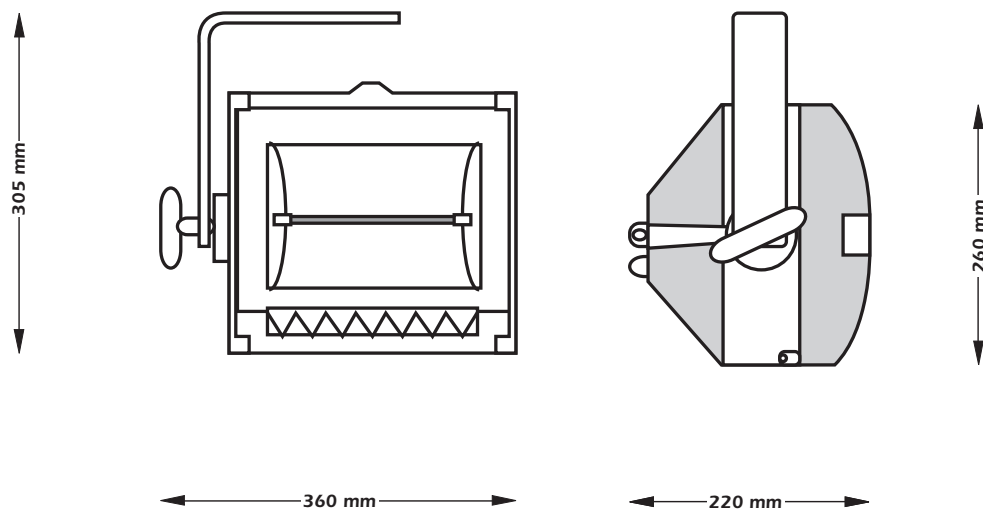
1000/1250 al



sequenza 1 1000/1250al

cod. 5092
cod. 5093

sequenza 1000/1250 a/s
sequenza 1000/1250 a/a



serial number _____

date of purchase _____

retailer _____

address _____

suburb _____

capital city _____

state _____

tel./fax/ _____

*Please note in the space provided above the relative service information of the model and the retailer from whom you purchased your **sequenza 1000/1250 al**: This information will assist us in providing spare parts, repairs or in answering any technical enquiries with the utmost speed and accuracy.*

WARNING: *the security of the fixture is granted only if these instructions are strictly followed; therefore it is absolutely necessary to keep this manual.*

Index

1. Packaging

2. Lamp: installation and replacement

3. Installation

4. Electrical connection

5. Operation

6. Maintenance

7. Electrical schematic

8. Spare parts

coemar authorised service centres worldwide

Congratulations on having purchased a new **coemar** product. You have ensured yourself of a fixture of the highest quality, both in the components and in the technology used. We renew our request for you to complete the service information. This information will assist in prompt and accurate advice from your **coemar service centre** (in case of problems encountered either during or subsequent to installation).

1. Packaging

Following the instructions contained in this manual will ensure the maximum efficiency of this product for years to come. Open the packaging and ensure that no part of the equipment has suffered damage in transit. In case of damage to the equipment, contact the carrier immediately by telephone or fax, following this with formal notification in writing.

packing list

Ensure that the packaging contains the following items:

1 **sequenza 1000/1250 al (complete with safety glass)**

1 **colour frame**

1 **"L"-shaped yoke**

1 **graduated fixing plate, complete with bolts and T-handle**

2. Lamp: Installation and maintenance

lamp type

sequenza 1000/1250 al uses a linear halogen lamp of either 1000 or 1250W

The following lamps are available through the **coemar** distributor network:

coemar cod.	105088
power	1000 w
voltage	230 v
luminous flux	26.000 lm
colour temperature	3200° K
base	R7s

coemar cod.	105082
power	1250 w
voltage	230 v
luminous flux	33.750 lm
colour temperature	3200° K
base	R7s

safety

Attention

Disconnect mains power before opening internals

The fixture's internal temperature can reach 180° C after 5 minutes of operation, with a maximum peak of 200° C; ensure the lamp is cold prior to attempting removal. The fixture should be allowed to stand and cool for 10 minutes prior to opening for lamp replacement or internal inspection.

lamp handling

The lamp is quartz glass and must be handled with care. Follow the instructions included in the lamp's packaging. Do not touch the glass directly, use the tissue provided in the lamp box.

lamp access

To gain access to the lamp, undo the locking mechanism at the top of the **sequenza 1000/1250 al** and by using a plane screwdriver, turn clockwise the security screw. The hinged front of the unit will open, together with the safety glass, allowing complete access to the lamp.

Insert the lamp into the double-ended lampbase. Should you encounter any difficulty during this operation, DO NOT USE UNDUE FORCE. Check all components and repeat the procedure.

closing the unit

Carefully close the front of the **sequenza 1000/1250 al**. A sudden jarring impact may cause damage to the lamp filament or fixture. After installing the lamp reverse the procedure above to secure the hinged front

3. Installation

Mounting the yoke

Locate, in the packaging, the "L"-shaped yoke, the M5 bolt, the graduated fixing plate, and the T-handle.

Assemble the yoke prior to mounting it to the housing. Slide the threaded M8 end of the T-handle through the untapped hole of the yoke (placing the smooth washer between yoke and T-handle), and affix the graduated fixing plate so that the markings are to the exterior, adjacent to the yoke. Open the front inspection lid of the **sequenza 1000/1250 al** and insert the M5 bolt in the lateral slot on the yoke fixing side. Now slide the yoke onto the guide located on the external side of the **sequenza 1000/1250 al** and connect and tighten the bolt to the yoke with a screwdriver. This tightening will result in the yoke sliding along its guide and seating itself correctly. Do not use undue force in this operation.

assembling multiple units

This procedure is similar to that of mounting the yoke. Open the front inspection lid of the **sequenza 1000/1250 al** and insert the M5 bolt into the lateral slot on the side of one of the **sequenza 1000/1250 al** to be joined. Slide the accessory joining piece (**coemar cod. 5086**) onto the guide, then connect and tighten the bolt. This tightening will result in the joining piece sliding along the guide and seating itself correctly. Do not use undue force in this operation.

You can now connect the **sequenza 1000/1250 al** units together.

Safety glass

The **sequenza 1000/1250 al** has a tempered safety glass fitted as standard. This is useful in case a lamp ruptures, averting the risk of hot, falling glass. If necessary, it is possible to remove the safety glass by means of removing the 4 screws which fix the front housing.

mounting accessories

Each **sequenza 1000/1250 al** is supplied with a colour frame which has one serrated edge and which fits into the front housing. The serrated edge may be placed to the top or to the bottom of the fixture, however is desired. The **sequenza 1000/1250 al** also has available an accessory barndoor which fits to the front of the unit.

lamp position

Ensure that the **sequenza 1000/1250 al** is always operated with the lamp in the horizontal plane. Failure to do so will result in excessive overheating of the lamp, with a resultant dramatic decrease in lamp life.

yoke adjustment

The yoke has been designed to allow the **sequenza 1000/1250 al** to be easily adjusted to point upwards or downwards.

vertical adjustment

The **sequenza 1000/1250 al** should be operated with the vertical inclination not exceeding 45° towards the top and 90° towards the bottom, always maintaining the lamp in the horizontal plane. If using the asymmetrical version of the **sequenza 1000/1250 al** note that the brighter band of light may be placed at the top or the bottom, depending upon the desired effect.

mounting

The yoke of the **sequenza 1000/1250 al** is provided with three 10 mm holes. Use the hole closest to the edge when mounting a model 500, the central hole for a model 1000, and the hole closest to the bend in the yoke for mounting multiple units. Ensure that your mounting accessory is able to sustain the weight of the unit(s).

installation

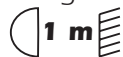
The **sequenza 1000/1250 al** is designed for internal use, in ambient temperatures below 40°C.

safety chain

The use of a safety chain (**coemar cod. 069**), affixed to the **sequenza 1000/1250 al** and to the primary suspension point, is highly recommended in the case, however unlikely, that the suspension point should fail. The rear of the fixture is provided with a robust ring as an attachment point.

risk of fire

Each fixture produces heat and so should be mounted in a well-ventilated position. Minimum distance from a flammable surface: 0,5 m. Minimum distance between the fixture and the object being illuminated: 1 m.



4. Electrical connection cabling

The mains cable provided is thermally resistant, complying to the most recent international standards. It meets, or exceeds, the VDE and IEC norms: IEC 331, IEC 332 3C, CEI 20 35.

N.B.: In case of cable replacement, similar cable, with comparable thermal resistance attributes, must be used exclusively (cable 3x1.5 ϕ , external ϕ 10 mm, 300/500V, tested to 2KV, operating temperature -40° to +180° cod. COEMAR CV5309)

ATTENTION!

In removing the outer sheath of the cable when replacing it or connecting plugs, be careful not to damage or remove the internal sheath for each conductor.

attaching a plug

Ensure that the plug you use is rated at a minimum of 5 Amps, with a suitable earth. It is absolutely necessary that the fixture be correctly earthed via the yellow/green earth wire. Connect the brown wire to the active, the blue wire to the neutral and the yellow/green wire to earth. Make sure all wires are securely attached.

A good earth connection is vital for proper functioning of the fixture. Strict adherence to regulatory standards is strongly recommended.

note:

sequenza 1000/1250 al is able to operate at any standard mains voltage or frequency. A suitable lamp is the only requirement.

testing

Before mounting the unit in a permanent position, connect it to a fused outlet and test it for correct operation of the lamp.

protection

The use of a fuse rated at 6,3 A for a 1000w lamp and 10 A for a 1250w lamp, or the use of a thermal/magnetic circuit breaker for each **sequenza 1000/1250 al**, is highly recommended.

Should the **sequenza 1000/1250 al** be operated via a dimming system, ensure that the dimmer is fitted with fused load protection.

5. Operation

focusing

Whilst focusing the unit, it is recommended that any colour gel be removed, and the lamp be dimmed so as to avoid the unit becoming hot and therefore difficult to manoeuvre.

colour frame

Every **sequenza 1000/1250 al** is supplied with a colour frame to suit gel of dimensions: 250mm x 295mm. We recommend the use of high-temperature gel, often known as supergel.

6. Maintenance

periodic cleaning

The following periodic maintenance is highly recommended. Before attempting any of the following, ensure that the mains supply to the unit is disconnected.

safety glass and reflector

Even a fine layer of dust can reduce luminous output substantially. Regularly clean the reflector and glass using a soft cotton cloth dampened with a specialised cleaning solution.

Replace the safety glass if there are any visible signs of damage, cracks, or deep scratches.

air passages

The air passages should be cleaned approximately every 6 weeks; the period for this cleaning will depend, of course, upon the conditions in which the unit is operating.

Suitable instruments for performing this type of maintenance are a brush and a common vacuum cleaner or an air compressor.

lamp

The lamp should be replaced if there is any observable damage or deformation due to heat. This will avoid the danger of the lamp exploding.

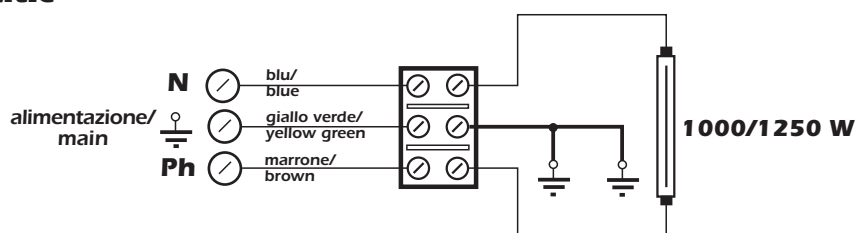
electrical components

Check all components for correct earth connection and the proper attachment of all connectors, refastening if necessary.

mechanical components

Periodically check all mechanical components and housing for physical damage, replacing them if necessary.

7. Electrical schematic



8. Spare parts

All the components of the **sequenza 1000/1250 al** are available as spare parts from your authorised coemar service centre. Accurate description of the fixture, model number, and type will assist us in providing for your requirements in an efficient and effective manner.



coemar spa

*via Inghilterra
46042 Castelfredò (Mantova) Italy
TEL 0376/77521
Fax 0376/780657*

coemar reserves the right to effect modifications without notification

instruction manual

sequenza 1 1000/1250al

1st edition october 1996

*manuale
di istruzioni
instruction
manual*

*1^a edizione, ottobre 1996
1st edition october 1996*

sequenza

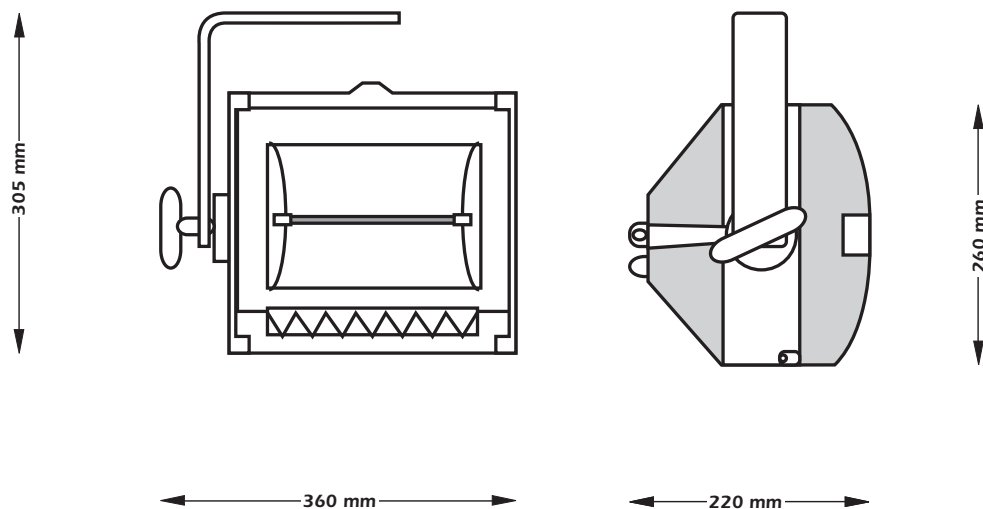
1000/1250 al



sequenza 1 1000/1250al

cod. 5092
cod. 5093

sequenza 1000/1250 a/s
sequenza 1000/1250 a/a



serial number _____

date of purchase _____

retailer _____

address _____

suburb _____

capital city _____

state _____

tel./fax/ _____

*Please note in the space provided above the relative service information of the model and the retailer from whom you purchased your **sequenza 1000/1250 al**: This information will assist us in providing spare parts, repairs or in answering any technical enquiries with the utmost speed and accuracy.*

WARNING: *the security of the fixture is granted only if these instructions are strictly followed; therefore it is absolutely necessary to keep this manual.*

Index

1. Packaging

2. Lamp: installation and replacement

3. Installation

4. Electrical connection

5. Operation

6. Maintenance

7. Electrical schematic

8. Spare parts

coemar authorised service centres worldwide

Congratulations on having purchased a new **coemar** product. You have ensured yourself of a fixture of the highest quality, both in the components and in the technology used. We renew our request for you to complete the service information. This information will assist in prompt and accurate advice from your **coemar service centre** (in case of problems encountered either during or subsequent to installation).

1. Packaging

Following the instructions contained in this manual will ensure the maximum efficiency of this product for years to come. Open the packaging and ensure that no part of the equipment has suffered damage in transit. In case of damage to the equipment, contact the carrier immediately by telephone or fax, following this with formal notification in writing.

packing list

Ensure that the packaging contains the following items:

1 **sequenza 1000/1250 al (complete with safety glass)**

1 **colour frame**

1 **"L"-shaped yoke**

1 **graduated fixing plate, complete with bolts and T-handle**

2. Lamp: Installation and maintenance

lamp type

sequenza 1000/1250 al uses a linear halogen lamp of either 1000 or 1250W

The following lamps are available through the **coemar** distributor network:

coemar cod.	105088
power	1000 w
voltage	230 v
luminous flux	26.000 lm
colour temperature	3200° K
base	R7s

coemar cod.	105082
power	1250 w
voltage	230 v
luminous flux	33.750 lm
colour temperature	3200° K
base	R7s

safety

Attention

Disconnect mains power before opening internals

The fixture's internal temperature can reach 180° C after 5 minutes of operation, with a maximum peak of 200° C; ensure the lamp is cold prior to attempting removal. The fixture should be allowed to stand and cool for 10 minutes prior to opening for lamp replacement or internal inspection.

lamp handling

The lamp is quartz glass and must be handled with care. Follow the instructions included in the lamp's packaging. Do not touch the glass directly, use the tissue provided in the lamp box.

lamp access

To gain access to the lamp, undo the locking mechanism at the top of the **sequenza 1000/1250 al** and by using a plane screwdriver, turn clockwise the security screw. The hinged front of the unit will open, together with the safety glass, allowing complete access to the lamp.

Insert the lamp into the double-ended lampbase. Should you encounter any difficulty during this operation, DO NOT USE UNDUE FORCE. Check all components and repeat the procedure.

closing the unit

Carefully close the front of the **sequenza 1000/1250 al**. A sudden jarring impact may cause damage to the lamp filament or fixture. After installing the lamp reverse the procedure above to secure the hinged front

3. Installation

Mounting the yoke

Locate, in the packaging, the "L"-shaped yoke, the M5 bolt, the graduated fixing plate, and the T-handle.

Assemble the yoke prior to mounting it to the housing. Slide the threaded M8 end of the T-handle through the untapped hole of the yoke (placing the smooth washer between yoke and T-handle), and affix the graduated fixing plate so that the markings are to the exterior, adjacent to the yoke. Open the front inspection lid of the **sequenza 1000/1250 al** and insert the M5 bolt in the lateral slot on the yoke fixing side. Now slide the yoke onto the guide located on the external side of the **sequenza 1000/1250 al** and connect and tighten the bolt to the yoke with a screwdriver. This tightening will result in the yoke sliding along its guide and seating itself correctly. Do not use undue force in this operation.

assembling multiple units

This procedure is similar to that of mounting the yoke. Open the front inspection lid of the **sequenza 1000/1250 al** and insert the M5 bolt into the lateral slot on the side of one of the **sequenza 1000/1250 al** to be joined. Slide the accessory joining piece (**coemar cod. 5086**) onto the guide, then connect and tighten the bolt. This tightening will result in the joining piece sliding along the guide and seating itself correctly. Do not use undue force in this operation.

You can now connect the **sequenza 1000/1250 al** units together.

Safety glass

The **sequenza 1000/1250 al** has a tempered safety glass fitted as standard. This is useful in case a lamp ruptures, averting the risk of hot, falling glass. If necessary, it is possible to remove the safety glass by means of removing the 4 screws which fix the front housing.

mounting accessories

Each **sequenza 1000/1250 al** is supplied with a colour frame which has one serrated edge and which fits into the front housing. The serrated edge may be placed to the top or to the bottom of the fixture, however is desired. The **sequenza 1000/1250 al** also has available an accessory barndoor which fits to the front of the unit.

lamp position

Ensure that the **sequenza 1000/1250 al** is always operated with the lamp in the horizontal plane. Failure to do so will result in excessive overheating of the lamp, with a resultant dramatic decrease in lamp life.

yoke adjustment

The yoke has been designed to allow the **sequenza 1000/1250 al** to be easily adjusted to point upwards or downwards.

vertical adjustment

The **sequenza 1000/1250 al** should be operated with the vertical inclination not exceeding 45° towards the top and 90° towards the bottom, always maintaining the lamp in the horizontal plane. If using the asymmetrical version of the **sequenza 1000/1250 al** note that the brighter band of light may be placed at the top or the bottom, depending upon the desired effect.

mounting

The yoke of the **sequenza 1000/1250 al** is provided with three 10 mm holes. Use the hole closest to the edge when mounting a model 500, the central hole for a model 1000, and the hole closest to the bend in the yoke for mounting multiple units. Ensure that your mounting accessory is able to sustain the weight of the unit(s).

installation

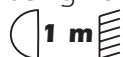
The **sequenza 1000/1250 al** is designed for internal use, in ambient temperatures below 40°C.

safety chain

The use of a safety chain (**coemar cod. 069**), affixed to the **sequenza 1000/1250 al** and to the primary suspension point, is highly recommended in the case, however unlikely, that the suspension point should fail. The rear of the fixture is provided with a robust ring as an attachment point.

risk of fire

Each fixture produces heat and so should be mounted in a well-ventilated position. Minimum distance from a flammable surface: 0,5 m. Minimum distance between the fixture and the object being illuminated: 1 m.



4. Electrical connection cabling

The mains cable provided is thermally resistant, complying to the most recent international standards. It meets, or exceeds, the VDE and IEC norms: IEC 331, IEC 332 3C, CEI 20 35.

N.B.: In case of cable replacement, similar cable, with comparable thermal resistance attributes, must be used exclusively (cable 3x1.5 ϕ , external ϕ 10 mm, 300/500V, tested to 2KV, operating temperature -40° to +180° cod. COEMAR CV5309)

ATTENTION!

In removing the outer sheath of the cable when replacing it or connecting plugs, be careful not to damage or remove the internal sheath for each conductor.

attaching a plug

Ensure that the plug you use is rated at a minimum of 5 Amps, with a suitable earth. It is absolutely necessary that the fixture be correctly earthed via the yellow/green earth wire. Connect the brown wire to the active, the blue wire to the neutral and the yellow/green wire to earth. Make sure all wires are securely attached.

A good earth connection is vital for proper functioning of the fixture. Strict adherence to regulatory standards is strongly recommended.

note:

sequenza 1000/1250 al is able to operate at any standard mains voltage or frequency. A suitable lamp is the only requirement.

testing

Before mounting the unit in a permanent position, connect it to a fused outlet and test it for correct operation of the lamp.

protection

The use of a fuse rated at 6,3 A for a 1000w lamp and 10 A for a 1250w lamp, or the use of a thermal/magnetic circuit breaker for each **sequenza 1000/1250 al**, is highly recommended.

Should the **sequenza 1000/1250 al** be operated via a dimming system, ensure that the dimmer is fitted with fused load protection.

5. Operation

focusing

Whilst focusing the unit, it is recommended that any colour gel be removed, and the lamp be dimmed so as to avoid the unit becoming hot and therefore difficult to manoeuvre.

colour frame

Every **sequenza 1000/1250 al** is supplied with a colour frame to suit gel of dimensions: 250mm x 295mm. We recommend the use of high-temperature gel, often known as supergel.

6. Maintenance

periodic cleaning

The following periodic maintenance is highly recommended. Before attempting any of the following, ensure that the mains supply to the unit is disconnected.

safety glass and reflector

Even a fine layer of dust can reduce luminous output substantially. Regularly clean the reflector and glass using a soft cotton cloth dampened with a specialised cleaning solution.

Replace the safety glass if there are any visible signs of damage, cracks, or deep scratches.

air passages

The air passages should be cleaned approximately every 6 weeks; the period for this cleaning will depend, of course, upon the conditions in which the unit is operating.

Suitable instruments for performing this type of maintenance are a brush and a common vacuum cleaner or an air compressor.

lamp

The lamp should be replaced if there is any observable damage or deformation due to heat. This will avoid the danger of the lamp exploding.

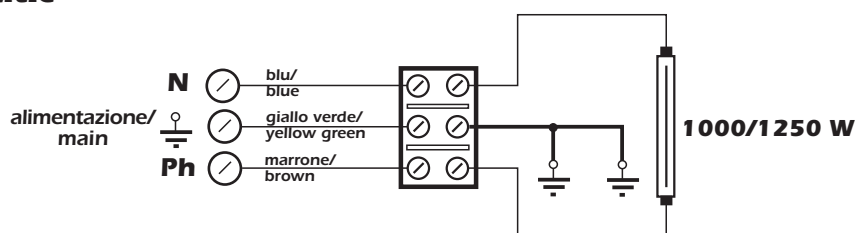
electrical components

Check all components for correct earth connection and the proper attachment of all connectors, refastening if necessary.

mechanical components

Periodically check all mechanical components and housing for physical damage, replacing them if necessary.

7. Electrical schematic



8. Spare parts

All the components of the **sequenza 1000/1250 al** are available as spare parts from your authorised coemar service centre. Accurate description of the fixture, model number, and type will assist us in providing for your requirements in an efficient and effective manner.



coemar spa

*via Inghilterra
46042 Castelfredoso (Mantova) Italy
TEL 0376/77521
Fax 0376/780657*

coemar reserves the right to effect modifications without notification

instruction manual

sequenza 1 1000/1250al

1st edition october 1996